

Note: All the dimensions are in "mm". Dimensioning is not necessary for Q3. Borderline, Title Block, Proper lettering and conventions, Line work, overall Neatness and Cleanliness will be given due weightage. (Marks: 02)

Q1. Draw the three orthographic views of the solid given in Fig. 1 in 3<sup>rd</sup> angle of projection with the overall dimensions in aligned system. Arrowhead mark in the figure shows the front viewing direction. (Marks: 12)

Marks breakup are as follows:

1. Three views and Line work – 10 Marks (FV: 03 Marks, SV: 03 Marks, TV: 04 Marks)
2. Dimensioning – 02 Marks

Q2. A pentagonal pyramid has 40 mm base edge and the axis 75 mm long. One of the vertex of the base of the pentagonal pyramid is on the horizontal plane with the triangular face opposite to this vertex, parallel to the horizontal plane. Draw the projections of the pyramid if the top view of the axis is perpendicular to the vertical plane. (Marks: 14)

Marks breakup are as follows:

1. Initial orientation – 04 Marks
2. First orientation – 05 Marks
3. Second orientation – 05 Marks

Q3. The Orthographic views of a solid in 3<sup>rd</sup> angle of projection are given in Fig. 2. Draw its isometric view. (Marks: 12)

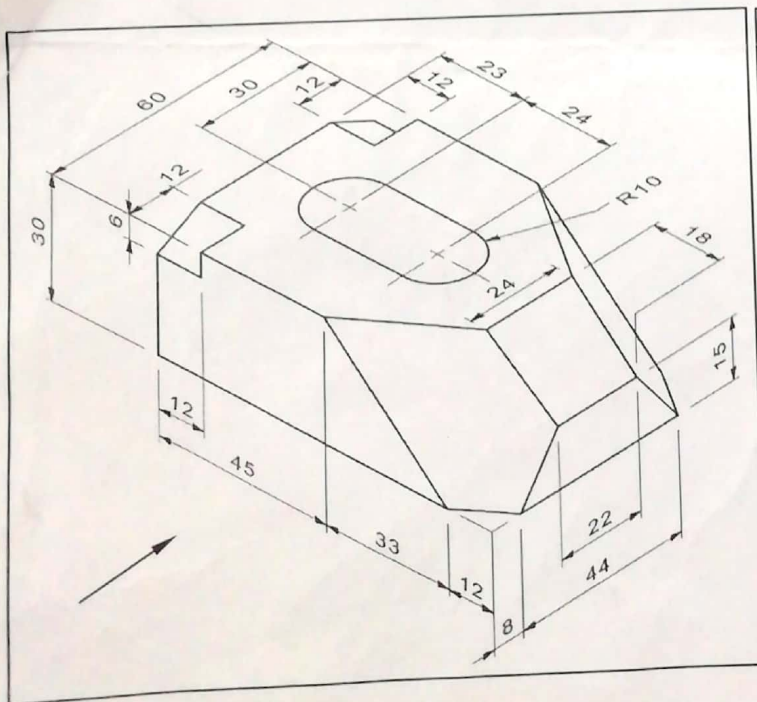


Figure 1

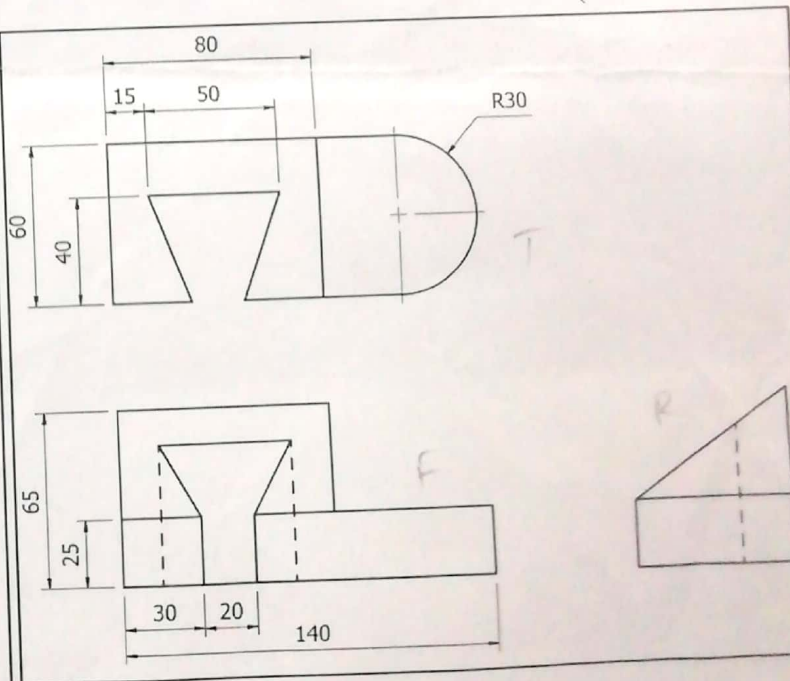


Figure 2